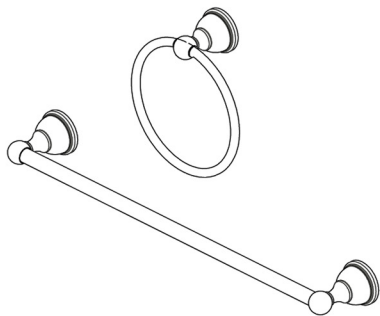


## Instructions for Models:

SA-1101  
SA-1101-BN  
SA-1101-PN



## Need Help?

For additional assistance or service call:

**SPEAKMAN** Company  
400 Anchor Mill Road  
New Castle, DE 19720

PHONE: 800-537-2107  
EMAIL: [customerservice@speakmancompany.com](mailto:customerservice@speakmancompany.com)  
WEB: [www.speakmancompany.com](http://www.speakmancompany.com)

92-3280-R1

## What You Need To Know:

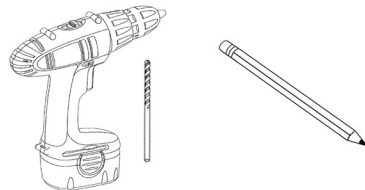
### Tools:

#### Required:

- \*Phillips Screwdriver
- \*Small Flat Tip Screwdriver

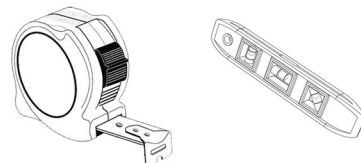


- \*Drill with 1/4" bit
- \*Pencil



#### Helpful:

- \*Tape Measure
- \*Level



### Important Notes:

Be sure to read instructions thoroughly before beginning installation. Do not overtighten any connections or damage may occur.

### Safety Tips:

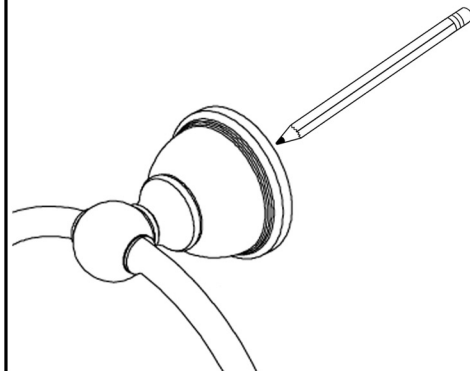
This item is **NOT** designed for use as a grab bar. Do not mount in locations where product is likely to be used as a grab bar.

Use caution when drilling into walls to avoid electrical and plumbing lines hidden within wall.

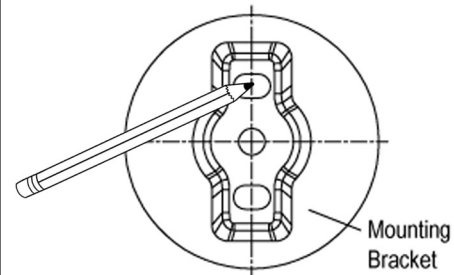
### Maintenance:

Clean with a soft, damp cloth only. Do not use scrub pads, detergents or cleansers as they may harm the protective finish of your bath accessories.

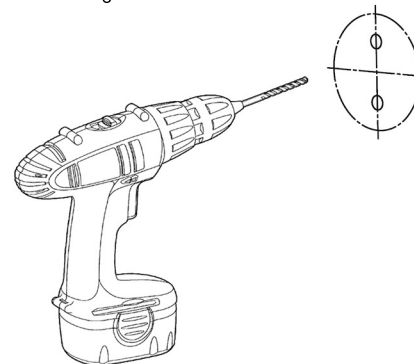
- 1** Loosen set screw at base of each post and remove brackets (if necessary). Determine mounting location of component and lightly trace outline on wall with a pencil



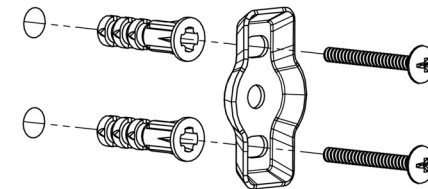
- 2** Center Mounting Bracket within traced outline. Mark the 2 mounting locations with a pencil.



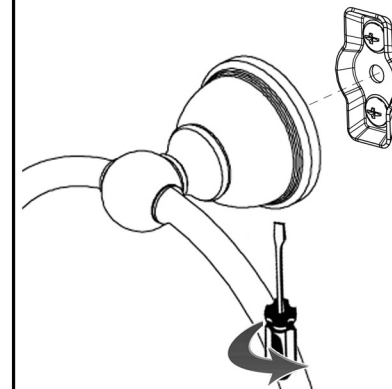
- 3** Drill 1/4" holes in marked locations. If mounting directly into stud or wood wall, secure Mounting Bracket to wall using Mounting Screws without drilling holes.



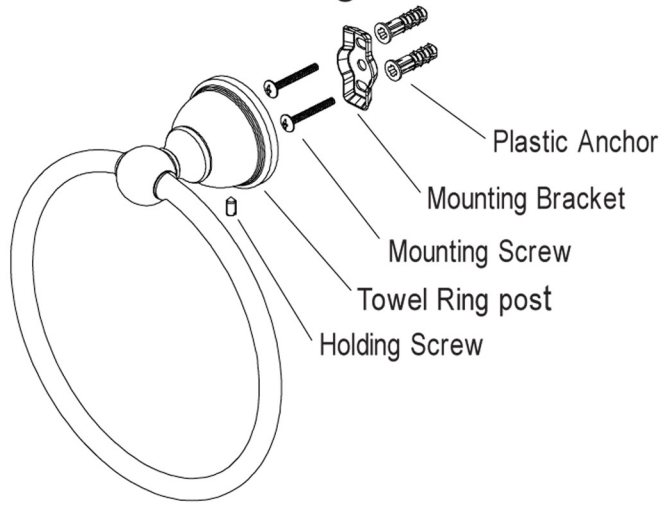
- 4** Insert Plastic Anchors into drilled holes and press in until flush with wall. Secure Mounting Brackets to wall with Mounting Screws using Phillips screwdriver.



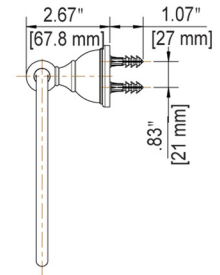
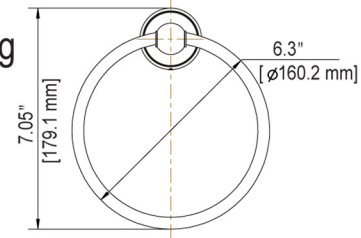
- 5** Locate post over Mounting Bracket and tighten Set Screw with Small Flat Tip Screwdriver. Repeat steps 1 thru 5 for remaining items.



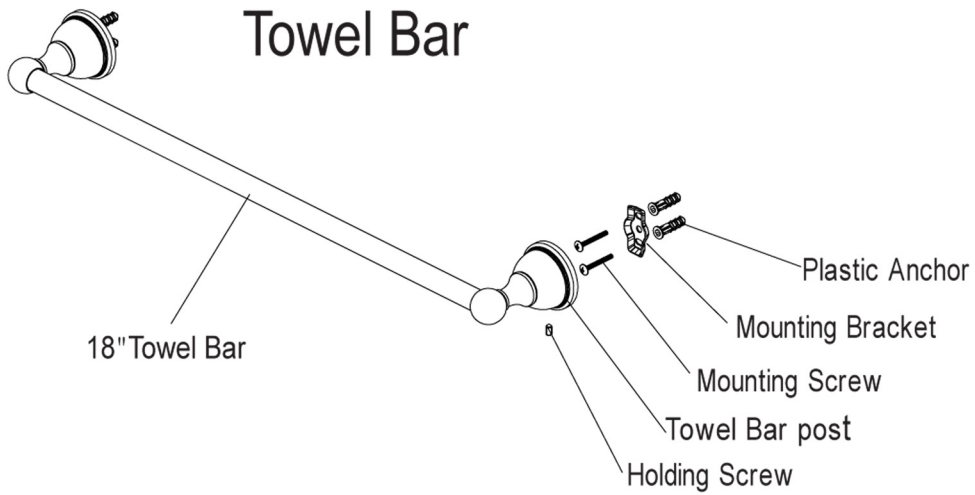
# Towel Ring



# Towel Ring



# Towel Bar



# Towel Bar

